

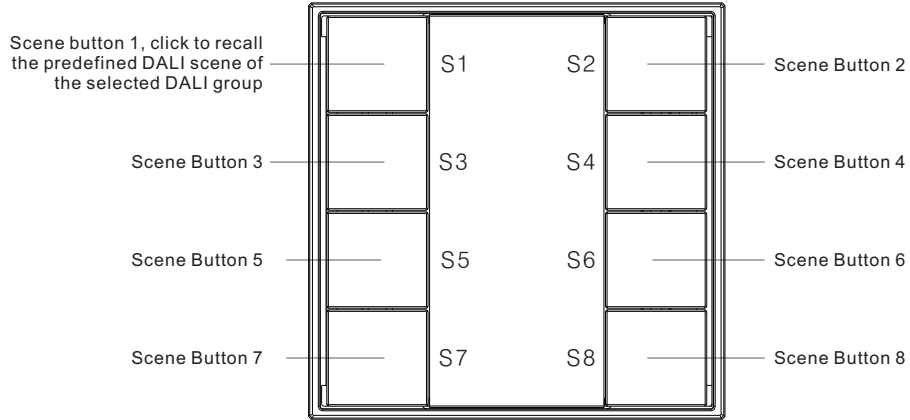
Push Button DALI Scene Controller

09.2402K8S8.04788

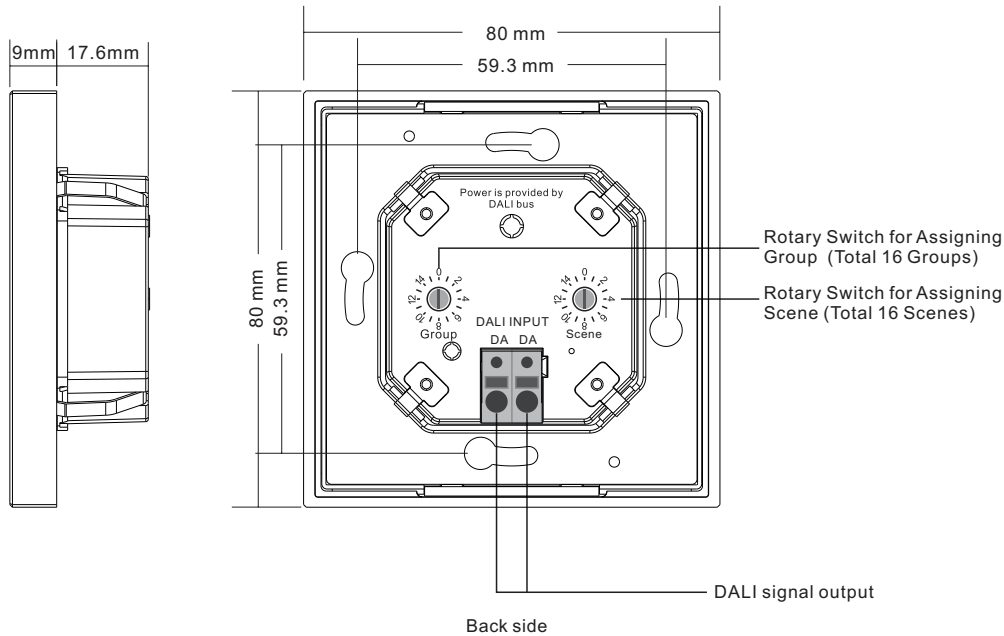


Important: Read All Instructions Prior to Installation

Function introduction



Front side



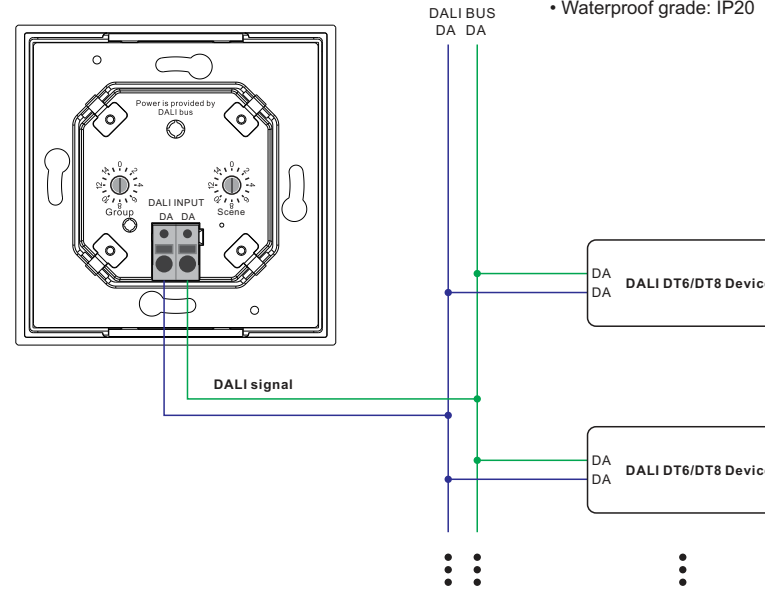
Back side

Product Data

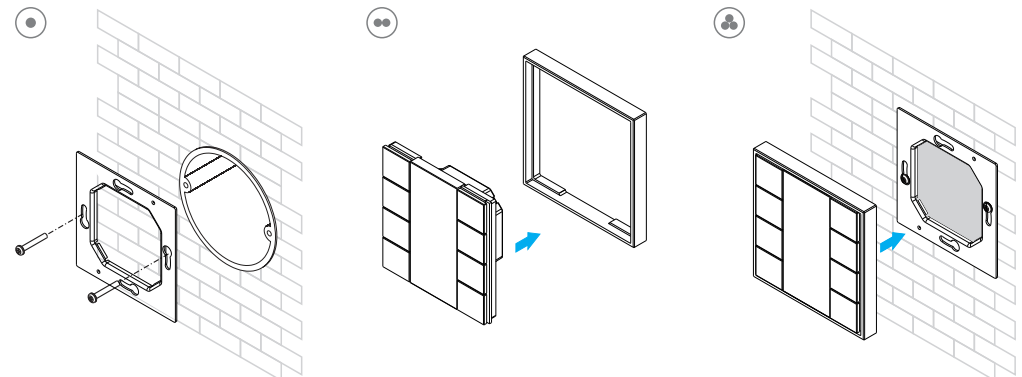
Output	DALI signal
Power Supply	Supply By DALI Bus
Operation Current	30mA
Operating temperature	0-40°C
Relative humidity	8% to 80%
Dimensions	80x80x26.6mm

- DALI push button scene controller
- Ultra slim and luxury design
- Material and finishing color can be customized
- With back lighting design, easy to find even in dark night
- DALI bus powered, no extra power supply required
- Each channel DALI bus can install multiple controllers
- Enables to select and control 1 DALI group from total 16 DALI groups
- Enables to select and control 8 DALI scenes from total 16 DALI scenes
- Easy installation with mounting bracket
- Waterproof grade: IP20

Wiring Diagram



Installation



Safety & Warnings

- DO NOT installed with power applied to device.
- DO NOT expose the device to moisture.

Operation

1. Do wiring according to connection diagram correctly.
2. Set starting Group number via rotary switch on the back: (0-15 selectable)
 - This DALI push button controller enables scene selection commands to be sent to One Group of devices on the DALI circuit. A rotary switch on the back is used to select the DALI Group you would like to control and set the starting Group number, and total 16 Groups (0-15) can be selected.
 - When the rotary switch arrow position is at 0, the controller controls all devices on DALI circuit through broadcast.
 - When the rotary switch arrow position is at X except 0 (1-15), the controller controls devices in Group X-1.

For example: Rotary switch arrow at 1, the controller controls devices in Group 0. Rotary switch arrow at 15, the controller controls devices in Group 14.

Please refer to the detailed Group setting table as follows:

Rotary Switch Position	0	1	2	3	4	5	6	7	8	9	10	11	12	13	14	15
DALI Group Selected	Broadcast	0	1	2	3	4	5	6	7	8	9	10	11	12	13	14

Note: please assign the devices on DALI circuit to a DALI group(0-15) with DALI master controller first.

3. Set starting Scene number via rotary switch on the back: (0-15 selectable)
 - This DALI push button controller enables Scene selection commands for up to eight Scenes to be sent to the DALI circuit by 8 Scene buttons S1, S2, S3, S4, S5, S6, S7, S8. A rotary switch on the back is used to select Scenes you would like to control and set the starting scene number, and total 16 Scenes (0-15) can be selected.

- When the rotary switch arrow position is at X (0-15), Scene button S1 controls DALI Scene X, S2 controls DALI Scene X+1, ..., S8 controls DALI Scene X+7.

For example: Rotary switch arrow at 0, button S1 controls DALI Scene 0, S2 controls DALI Scene 1, ..., S8 controls DALI Scene 7. Rotary switch arrow at 15, button S1 controls DALI Scene 15, S2 controls DALI Scene 0, ..., S8 controls DALI Scene 6.

Please refer to the detailed Scene setting table as follows:

Rotary Switch Position	0	1	2	3	4	5	6	7	8	9	10	11	12	13	14	15
Scene assigned to S1	0	1	2	3	4	5	6	7	8	9	10	11	12	13	14	15
Scene assigned to S2	1	2	3	4	5	6	7	8	9	10	11	12	13	14	15	0
Scene assigned to S3	2	3	4	5	6	7	8	9	10	11	12	13	14	15	0	1
Scene assigned to S4	3	4	5	6	7	8	9	10	11	12	13	14	15	0	1	2
Scene assigned to S5	4	5	6	7	8	9	10	11	12	13	14	15	0	1	2	3
Scene assigned to S6	5	6	7	8	9	10	11	12	13	14	15	0	1	2	3	4
Scene assigned to S7	6	7	8	9	10	11	12	13	14	15	0	1	2	3	4	5
Scene assigned to S8	7	8	9	10	11	12	13	14	15	0	1	2	3	4	5	6

Note: please predefine DALI scenes(0-15) to the devices on DALI circuit with DALI master controller first.