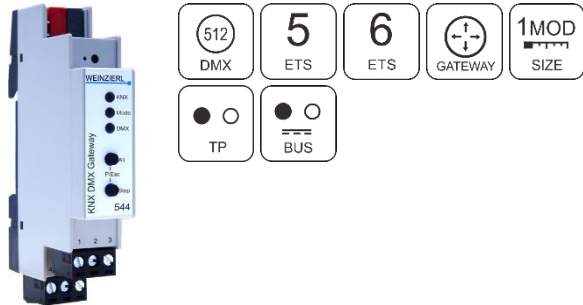


Data sheet

KNX DMX Gateway 544

Gateway between KNX DMX512



(Art. # 5358)

Application area

The KNX DMX Gateway 544 is a compact gateway between KNX and DMX512 (protocol for lighting control) with up to 64 freely configurable channels.

In master mode, the device allows convenient control of DMX luminaires, for example with KNX push-buttons. Up to 64 dimming channels or up to 8 RGB/RGBW channels are available. Several subsets of DMX512 addresses can be assigned to each channel. The dimming channels enable dimming of one or more DMX devices via KNX. In addition, 4 sequencers are available in the gateway to carry out more complex tasks.

In slave mode KNX actuators can be controlled by DMX. For example, the room lighting, which is part of the KNX installation, can be controlled via a DMX lighting control panel. Up to 64 DMX512 addresses can be individually evaluated and sent to KNX. Dimming value, switching with switching threshold and RGB value are available for interpretation.

Two buttons and three LEDs enable local operation and visualization of the device status.

Technical Specification

Electrical safety

- Protection (acc. EN 60529): IP20

CE marking according to

- EMC directive 2014 / 30 / EU
- RoHS directive 2011 / 65 / EU
- EN 63044-3: 2018
- EN 50491-5-1: 2010
- EN 50491-5-2: 2010
- EN 50491-5-3: 2010
- EN 61000-6-2: 2019
- EN 61000-6-3: 2007 + A1: 2011
- EN 63000: 2018

Environmental requirements

- Ambient temp. operating: - 5 ... + 45 °C
- Ambient temp. non-op.: - 25 ... + 70 °C
- Rel. humidity (non-condensing): 5 ... 93 %

Mechanical data

- Housing: plastic (PC)
- DIN rail mounted device, width: 1 unit (18 mm)
- Weight: approx. 50 g

Controls and indicators

- 2 buttons and 3 LEDs (multicolor)
- KNX programming button with LED (red)

DMX

- Type: DMX512 (RS-485), Master or Slave
- RS-485, 250 kBit/s

Power supply

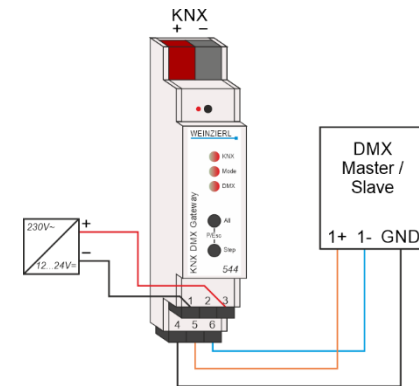
- KNX Bus approx. 4 mA
- DMX side supply voltage 12 ... 24 V=
- DMX side approx. 5 mA

Connectors

- Connector for KNX Bus (red / black)
- Pluggable screw connector (3 poles) for DMX
- Pluggable screw connector (3 poles) for power supply
- Cross-section of connectors: 0.34 ... 2.5 mm²

Installation Instructions

- The device may be used for permanent interior installations in dry locations or within distribution boards with DIN rail.

**WARNING**

- The device must be mounted and commissioned by an authorized electrician.
- The prevailing safety rules must be heeded.
- The device must not be opened.
- For planning and construction of electric installations, the relevant guidelines, regulations and standards of the respective country are to be considered.

ETS6 Database

www.weinzierl.de/en/products/544/ets6

Manual

www.weinzierl.de/en/products/544/manual

CE Declaration

www.weinzierl.de/en/products/544/ce-declaration

WEINZIERL ENGINEERING GmbH

Achatz 3-4

84508 Burgkirchen an der Alz

GERMANY

Tel.: +49 8677 / 916 36 - 0

E-Mail: info@weinzierl.deWeb: www.weinzierl.de