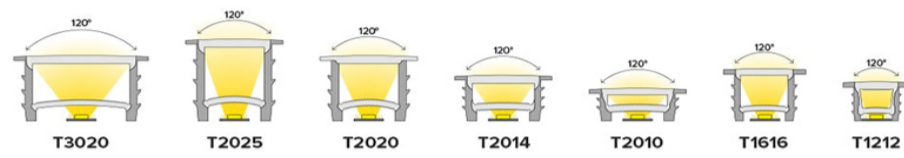


Silicone LED Channel System



Specification:

Total Length: 1M/ 3M/ 5M.

Luminous direction: frontal light.

Number of LEDs: 30leds/ m and more. (for 30LEDs/ m strip may have a slight light spot).

Color: Milky white.

Section size: T1212/ T1616/ T2010/ T2014/ T2020/ T2520/ T3020.

PCB Width: T1212-7mm / T1616-8mm / T2010-10-12mm / T2014-8-14mm / T2020(Economy)-10-12mm / T2020 (Engineering)-8-15mm / T2020(Transparent edge)-10-12mm / T2520-10-18mm / T3020-10-20mm.

Beam Angle: 120 degrees.

Material: Silicone.

Waterproof: IP67.

Light Source: SMD 2835, 5050, FCOB LED strip, etc.

Please note: You will ONLY get 1m/ 3m/ 5m silica gel covering tube, Not including the led lights strip.



Silicone LED Channel System Neon Rope Tube

- IP67 waterproof
- No dark area
- Flexible silicone material
- Cuttable

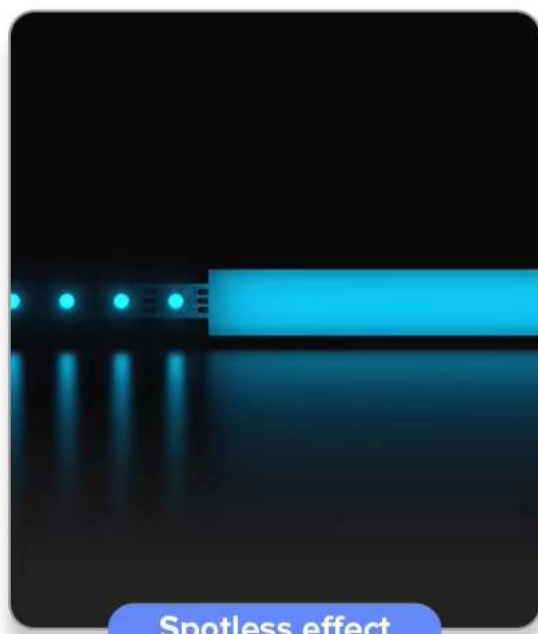
Product Features



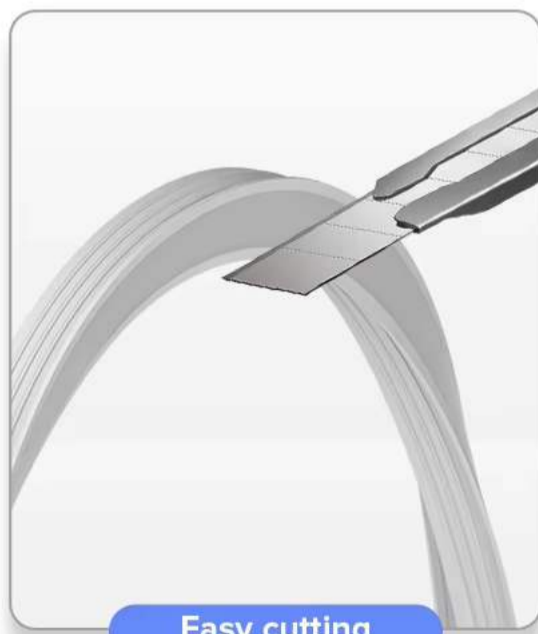
Bend freely



IP67 waterproof

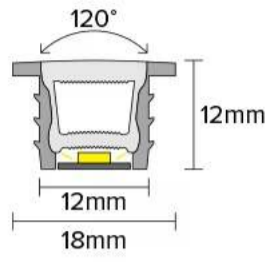


Spotless effect



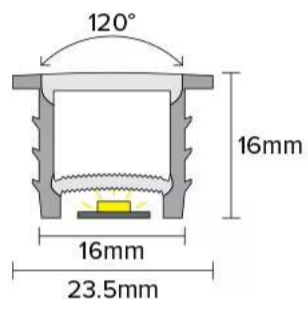
Easy cutting

Product Specifications



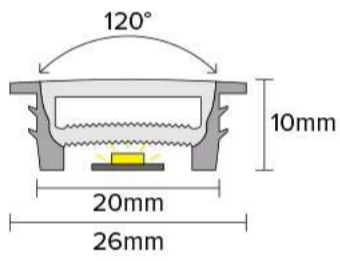
T1212:

Suitable for 2835, 5050, FCOB and other 7mm LED strips



T1616:

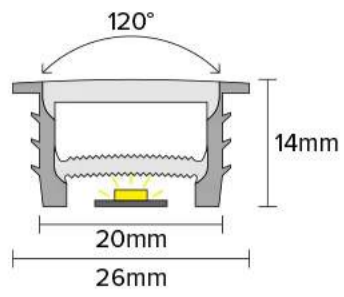
Suitable for 2835, 5050, FCOB and other 8mm LED strips



T2010:

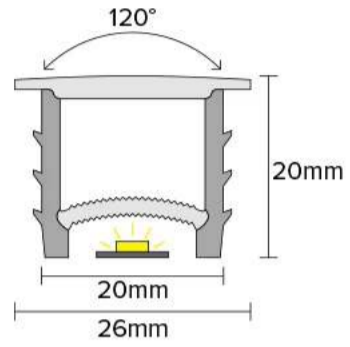
Suitable for 2835, 5050, FCOB and other 10-12mm LED strips





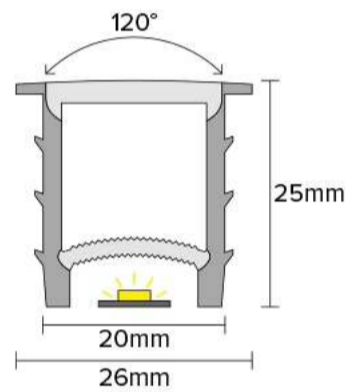
T2014:

Suitable for 2835, 5050, FCOB and other 8-14mm LED strips



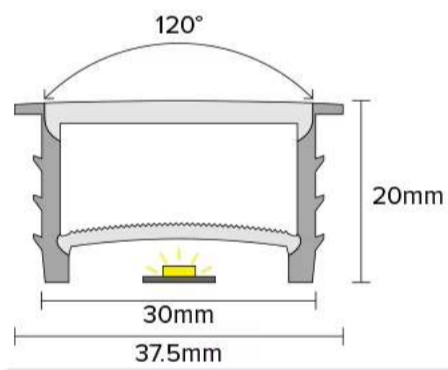
T2020:

Suitable for 2835, 5050, FCOB and other 10-12mm LED strips



T2025:

Suitable for 2835, 5050, FCOB and other 10-18mm LED strips

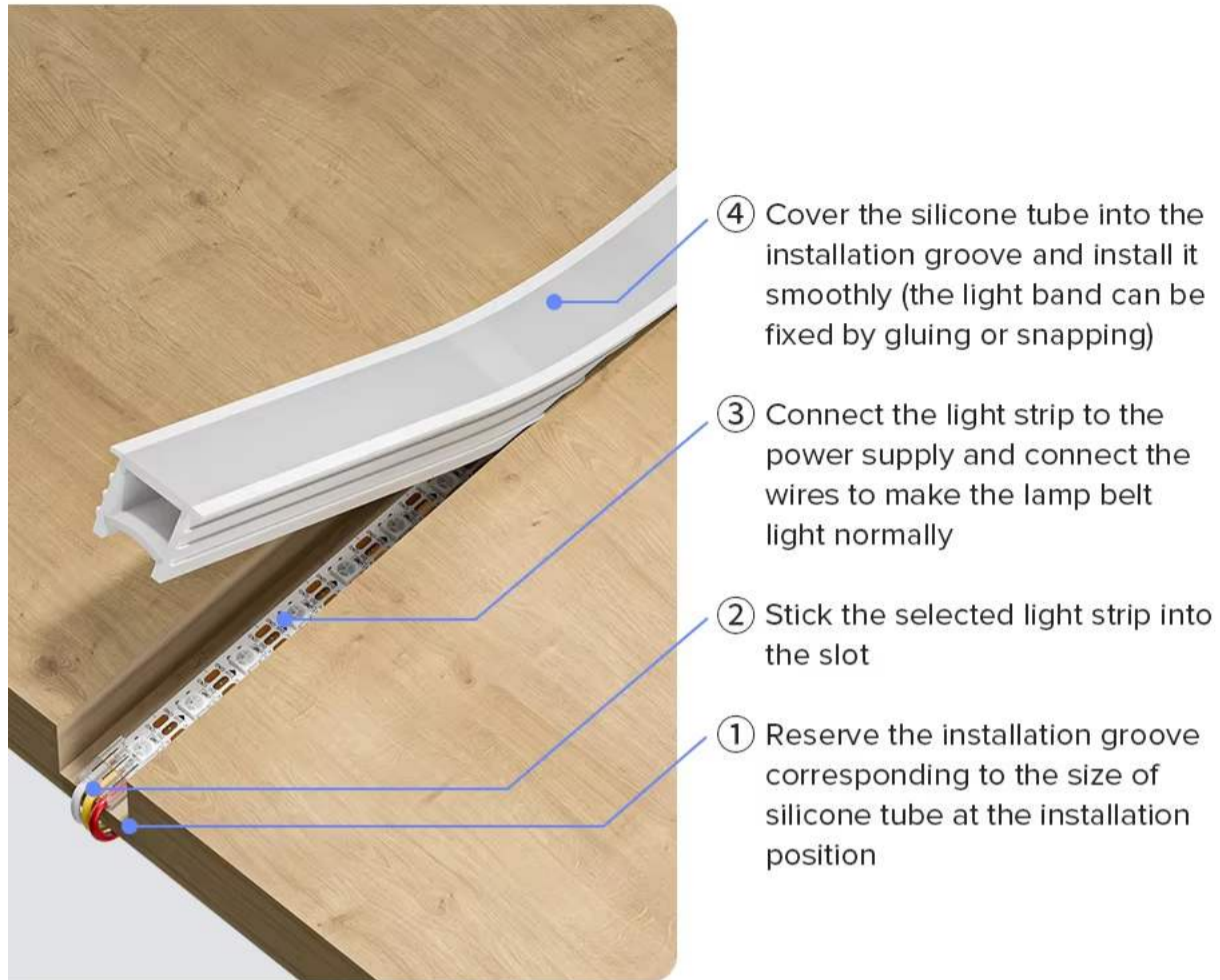


T3020:

Suitable for 2835, 5050, FCOB and other 10-20mm LED strips



How to install it ?



Why LED Silicone Channel ?



Wide Application



[Silicone LED Channel System] Silicone cover tubes can achieve uniform illumination, which makes the light very soft. 120° frontal illumination. LED silicone tubes used for 30LEDs/ m strip may have a slight light spot, while 60LEDs/ m or 100LEDs/ m strip can achieve no dark light spot.

[Easy to cut] The silicone material is very flexible and can be freely bent and cut, and the cover ensures consistent color temperature to meet any creative shape for different lengths of neon sign wall artwork. (Light strip is not included)

[IP67 Waterproof] Silicone cover tube is high temperature resistant, flame retardant, anti-static and waterproof. The silicone material will not turn yellow and can be used outdoors under high temperatures and bad weather.

[Easy to install] First leave the installation slot corresponding to the size of the silicone sleeve in the installation position, paste the selected strip in the slot, then connect the strip to the power supply and connect the wire to let the strip light up normally, cover the silicone sleeve into the installation slot and install it smoothly (can be fixed by gluing or snap to fix the strip).

[Widely used] Easy to achieve under cabinet, behind cabinet splash lighting, accent lighting, and decorative lighting. LED channel systems can be widely used in bars, hotels, KTV, boxes, passages, and other hidden locations for lighting and modeling decoration. Suitable for temporary use in kitchens, living rooms, and outdoor parties.